

① LENGTH SECTION
SCALE 1/2"=1'-0"

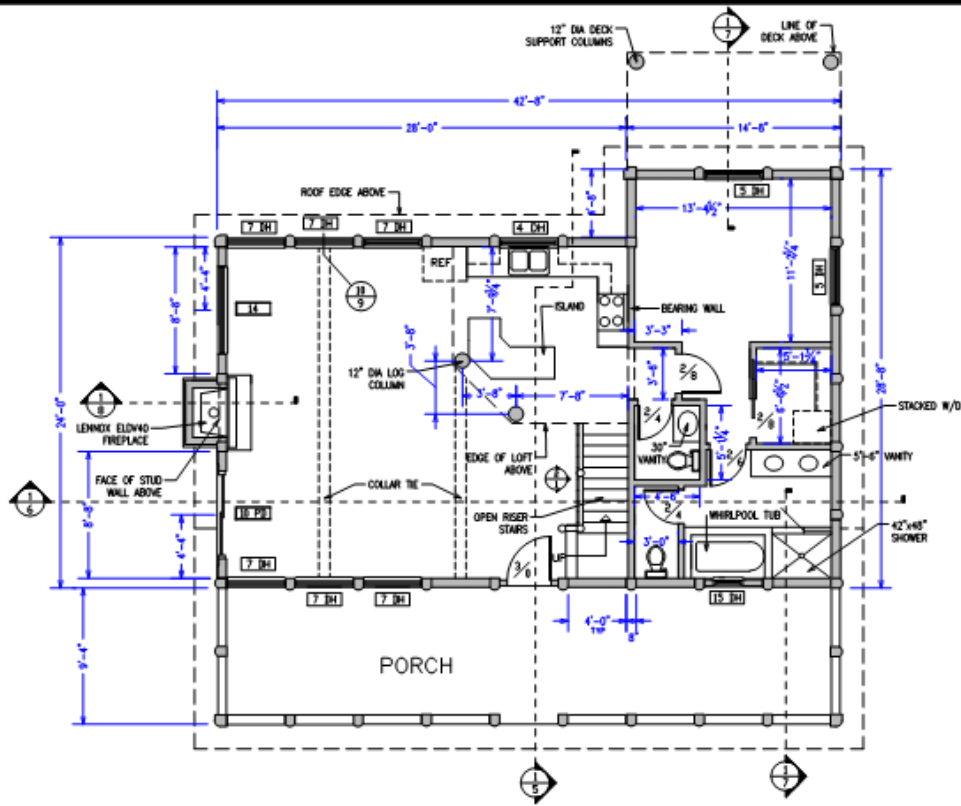
BOBCAT SERIES 500/900S	
MAIN FLOOR	1092 SQ. FT.
SECOND FLOOR	420 SQ. FT.
TOTAL WITH 2ND FLOOR	1512 SQ. FT.
LOFT	138 SQ. FT.
PORCH	398 SQ. FT.

Cabintek
Companies

The **WOODY**
Cabintek Concept

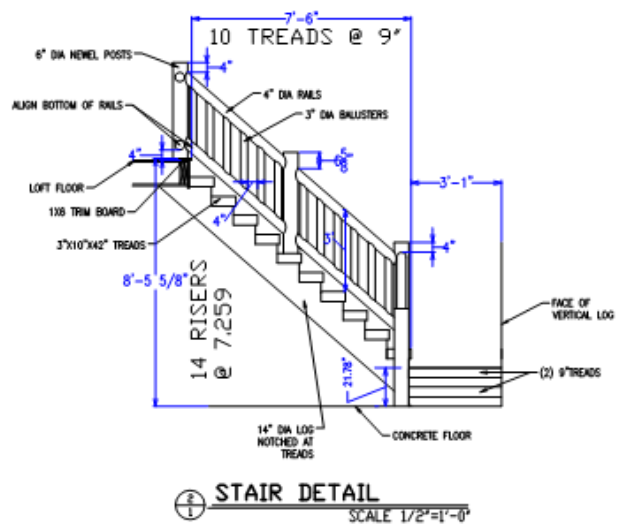
CABINTEK LLC AND AFFILIATED COMPANIES, CLAIMS OWNERSHIP OF DOCUMENTS, ALL RIGHTS RESERVED. THIS DOCUMENT, AND THE IDEAS AND DESIGN INCORPORATED HEREIN, AS AN INSTRUMENT OF PROFESSIONAL SERVICE, IS THE SOLE PROPERTY OF CABINTEK LLC, AND IS NOT TO BE USED IN WHOLE OR IN PART FOR ANY OTHER PROJECT OR PURPOSE WITHOUT THE EXPRESSED WRITTEN AUTHORIZATION OF CABINTEK LLC.

CONTACT: www.cabintek.com or www.thewoodylogcabin.com : 1-800-564-1677	DATE: 9/4/12	SHEET NO. 6
TITLE: BUFTON BUILDERS	REV: 9/7/12	
DRAWN BY: SCHROEDER DESIGN/BUILD LLC	CLIENT: SHELL	
SCALE: VARIES		



BOBCAT 1ST FLOOR PLAN NORTH
SCALE 1/4"=1'-0"

NOTE: INTERIOR PARTITIONS ARE ASSUMED TO BE 5" THICK
(3 1/2" STUDS 1/3/4" THICK X 6" T&G PINE BOARDS EACH SIDE)



STAIR DETAIL
SCALE 1/2"=1'-0"

REPLACEMENT STYLE WINDOW SCHEDULE		
WINDOW #	SIZE(W/H)	STYLE
1	47.75 X 13.75	FIXED
2	47.75 X 21.25	SLIDING
3	47.75 X 28.75	SLIDING
4	47.75 X 36.25	SEE PLANS
5	47.75 X 43.75	SEE PLANS
6	47.75 X 51.25	SEE PLANS
7	47.75 X 58.75	SEE PLANS
8	47.75 X 66.25	SEE PLANS
9	30 X 28	CASEMENT
10	72 X 80	PATIO DOOR
11	36 X 56	DOUBLE HUNG
12	72 X 56	TRAP-VERIFY
13	30 X 48	SLIDING-VERIFY
14	71.75 X 58.75	FIXED
15	23.75 X 36.25	SEE PLANS
16	48 X 59.5	CUSTOM SCREEN

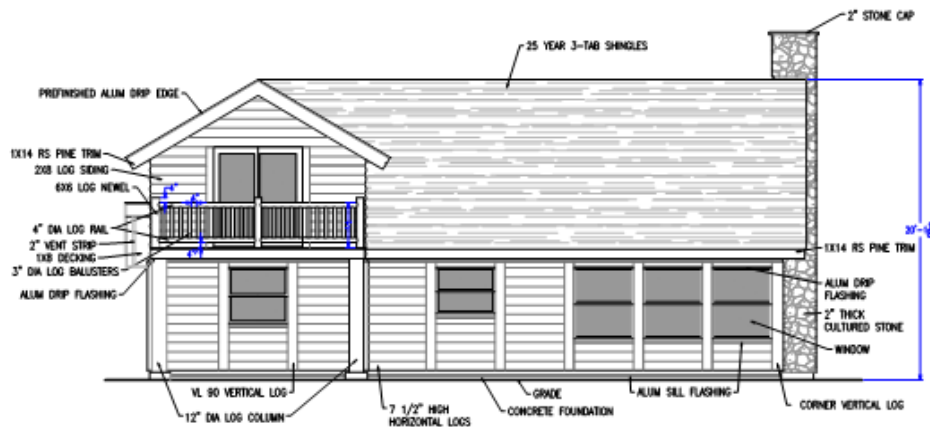
WINDOW DESIGNATION ON PLANS
 C=CASEMENT
 DH=DOUBLE HUNG
 S=SLIDING
 PD=PATIO DOOR

BOBCAT SERIES 500/900S	
MAIN FLOOR	1092 SQ. FT.
SECOND FLOOR	420 SQ. FT.
TOTAL WITH 2ND FLOOR	1512 SQ. FT.
LOFT	138 SQ. FT.
PORCH	398 SQ. FT.

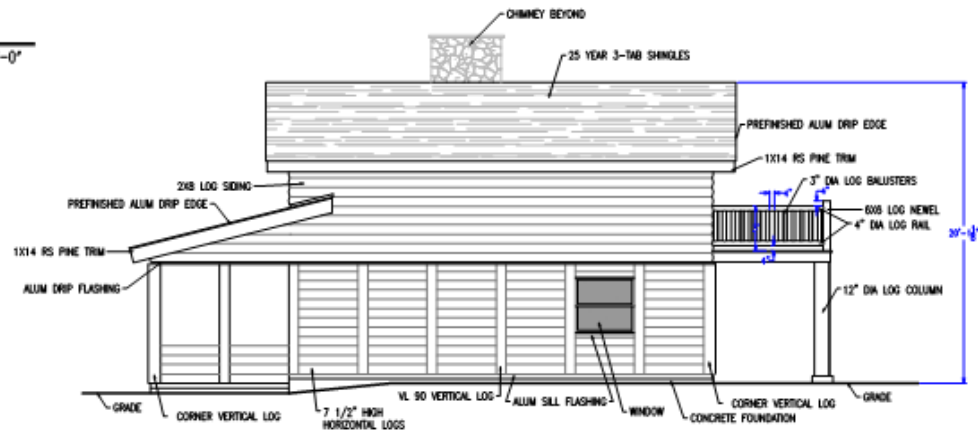


CABINTEK LLC AND AFFILIATED COMPANIES, CLAIMS OWNERSHIP OF DOCUMENTS, ALL RIGHTS RESERVED. THIS DOCUMENT, AND THE IDEAS AND DESIGN INCORPORATED HEREIN, AS AN INSTRUMENT OF PROFESSIONAL SERVICE, IS THE SOLE PROPERTY OF CABINTEK LLC, AND IS NOT TO BE USED IN WHOLE OR IN PART FOR ANY OTHER PROJECT OR PURPOSE WITHOUT THE EXPRESSED WRITTEN AUTHORIZATION OF CABINTEK LLC.

CONTACT: www.cabintek.com or www.thewoodylogcabin.com : 1-800-564-1677		DATE: 9/4/12	SHEET NO. 1
TITLE: BUFTON BUILDERS		REV: 9/7/12	
DRAWN BY: SCHROEDER DESIGN/BUILD LLC			
SCALE: VARIES CLIENT: SHELL			



2
4 BOBCAT NORTH ELEVATION
SCALE 1/4"=1'-0"



1
4 BOBCAT EAST ELEVATION
SCALE 1/4"=1'-0"

BOBCAT SERIES 500/900S	
MAIN FLOOR	1092 SQ. FT.
SECOND FLOOR	420 SQ. FT.
TOTAL WITH 2ND FLOOR	1512 SQ. FT.
LOFT	138 SQ. FT.
PORCH	398 SQ. FT.



CABINTEK LLC AND AFFILIATED COMPANIES, CLAIMS OWNERSHIP OF DOCUMENTS, ALL RIGHTS RESERVED. THIS DOCUMENT, AND THE IDEAS AND DESIGN INCORPORATED HEREIN, AS AN INSTRUMENT OF PROFESSIONAL SERVICE, IS THE SOLE PROPERTY OF CABINTEK LLC, AND IS NOT TO BE USED IN WHOLE OR IN PART FOR ANY OTHER PROJECT OR PURPOSE WITHOUT THE EXPRESSED WRITTEN AUTHORIZATION OF CABINTEK LLC.

CONTACT: www.cabintek.com or www.thewoodylogcabin.com : 1-800-564-1677		DATE: 9/4/12	SHEET NO.
TITLE: BUFTON BUILDERS			
DRAWN BY: SCHROEDER DESIGN/BUILD LLC		REV: 9/7/12	4
SCALE: VARIES	CLIENT: SHELL		